

Air Conditioning

Product Information

PLA-ZRP140BA : Inverter Heat Pump

R410A 4-Way Blow Ceiling Cassette System

Mr.SLIM™



Our wide range of Power Inverters offer customers high seasonal efficiency, advanced control options and quiet operation, whilst providing greater flexibility and ease of installation.

FEATURES



INDOOR

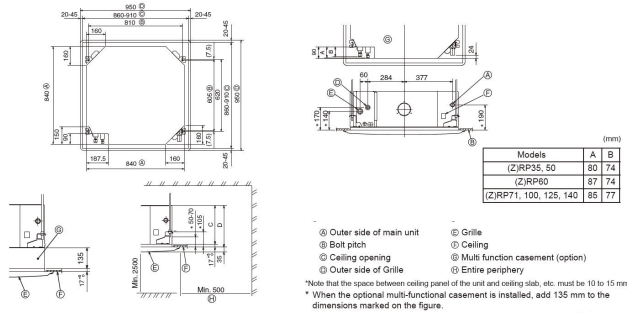
Heating Capacity (kW) (nominal)	16.0 (5.7 - 18)
Cooling Capacity (kW) (nominal)	13.4 (6.2 - 15)
Heating Capacity (kW) (UK)	13.6 (4.85 - 15.3)
Cooling Capacity (kW) (UK)	12.9 (5.7 - 14.1)
SHF (nominal and UK)	0.72
COP / EER (nominal)	3.40 / 3.07
SCOP / SEER	4.5 / 6
Energy Efficiency Class - Heating / Cooling	N/A / N/A
Pipe Size Gas (mm [in])	15.88 (5/8")
Pipe Size Liquid (mm [in])	9.52 (3/8")
Airflow (m ³ /min) Lo-Mi-Mi2-Hi	24 - 26 - 29 - 32
Sound Pressure Level (dBA) Lo-Mi-Mi2-Hi	36 - 39 - 42-44
Sound Power Level (dBA) Cooling	70
Dimensions (mm) Width x Depth x Height	840(950) x 840(950) x 298(35)
Weight (kg) Unit / grille	27 / 6
Electrical Supply	FED BY OUTDOOR UNIT
Phase	SINGLE
Fuse Rating (BS88) - HRC (A)	6
Interconnecting Cable No. Cores	4

OUTDOOR

Sound Pressure Level (dBA) Heating / Cooling	52 / 50
Sound Power Level (dBA) Cooling	70
Weight (kg)	132
Dimensions (mm) Width x Depth x Height	1050 x 330+30 x 1338
Electrical Supply	380-415V,50HZ
Phase	THREE
System Power Input (kW) - Heating / Cooling (nominal)	4.70 / 4.37
System Power Input (kW) - Heating / Cooling (UK)	4.18 / 3.71
Starting Current (A)	4
System Running Current (A) [MAX] - Heating / Cooling	8.09 / 7.68 [12.1]
Fuse Rating (BS88) - HRC (A)	16
Mains Cable No. Cores	5
Max Pipe Length (m)	75
Max Height Difference (m)	30
Charge R410A (kg) - Pre charged length (m)	5 - 30

DIMENSIONS

PLA-ZRP140BA



Models	C	D
PLA-RP35/50/70/BA(2) PLA-ZRP35/50/70BA	241	258
PLA-RP100/125/140BA(2) PLA-RP100BA3 PLA-ZRP11/100/125/140BA	281	288

DIMENSIONS

PUHZ-ZRP140YKA

